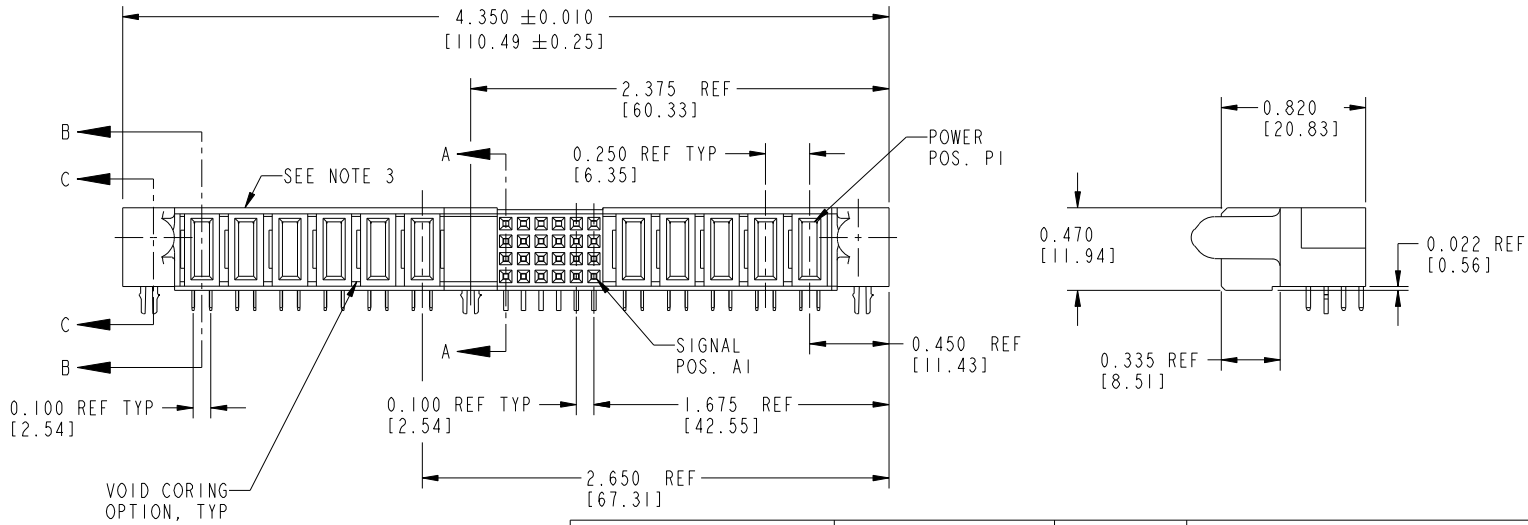
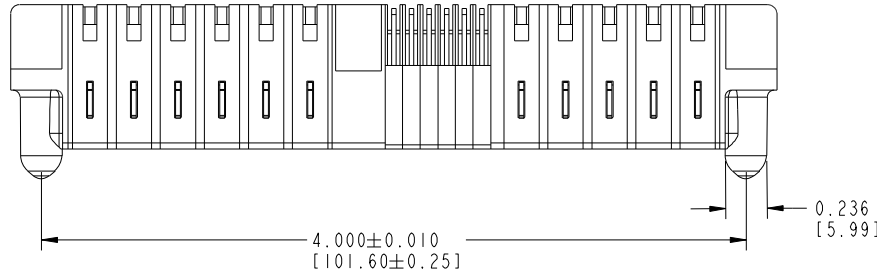


Tous droits strictement réservés. Reproduction ou communication à des tiers interdite sous quelque forme que ce soit sans autorisation écrite du propriétaire. Propriété de c FCI. Droits de reproduction FCI.



All rights strictly reserved. Reproduction or issue to third parties in any form whatever is not permitted without written authority from the proprietor. Property of FCI. Copyright FCI.

PRODUCT NUMBER
SEE SHEET 3



| mat'l code | | | | NOTE 1 | | tolerances unless otherwise specified | | CUSTOMER | | FCI | |
|-------------|-----------|----------------|----------|--------|-----------------------|---------------------------------------|------|----------------|--------------------|--------------------|--|
| ltr | ecn no. | dr | date | linear | .XX±.01/.XX±.3 | projection | COPY | | www.fciconnect.com | | |
| N | DG05-0242 | SJ | 07/25/05 | | .XXX±.005/.XX±.13 | INCH/MM | | title | | 5P + 24S + 1M + 6P | |
| P | DG05-0313 | SJ | 09/05/05 | angles | .XXXX±.0020/.XXX±.051 | scale | | product family | | PwrBlade | |
| R | DG05-0338 | SW | 09/19/05 | chr | 0° ± 2° | 1:1 | | size | | 213 | |
| S | DG05-0550 | GuoJM | 12/16/05 | appr | D. WOLFORD 01/21/99 | A | | dwg no | | 51625 | |
| T | DG08-0239 | JC | 09/12/08 | | J. BROWN 01/21/99 | | | sheet | | 1 of 4 | |
| | | | | | J. BROWN 01/21/99 | | | | | | |
| sheet index | | revision sheet | | T | T | T | T | | | | |
| | | 1 2 | | 3 | 4 | | | | | | |

Pro/E

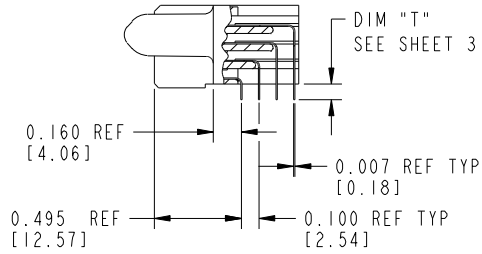
cage code 22526

Tous droits strictement réservés. Reproduction ou communication à des tiers interdite sous quelque forme que ce soit sans autorisation écrite du propriétaire. Propriété de c.FCI. Droits de reproduction FCI.

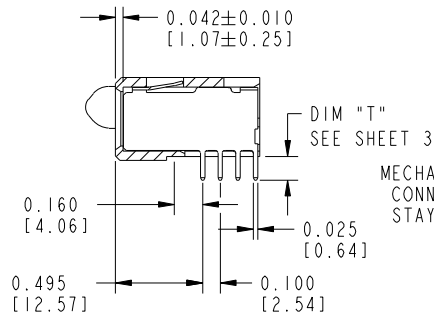


All rights strictly reserved. Reproduction or issue to third parties in any form whatever is not permitted without written authority from the proprietor. Property of FCI. Copyright FCI.

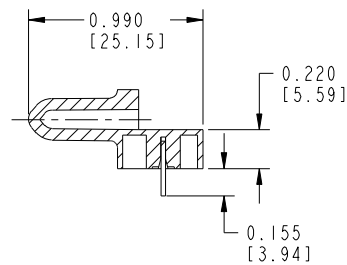
PRODUCT NUMBER
SEE SHEET 3



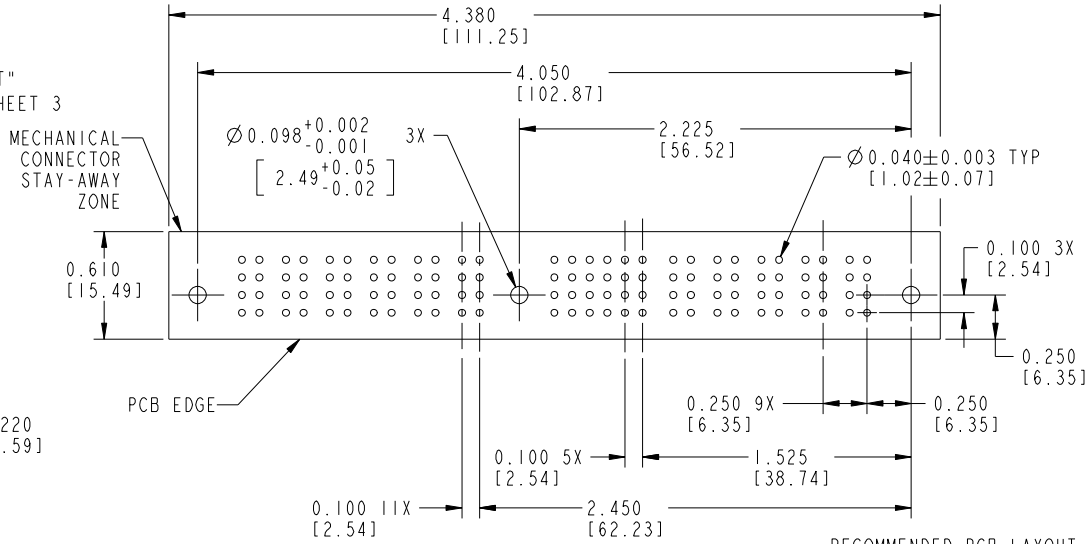
SECTION A-A



SECTION B-B



SECTION C-C



RECOMMENDED PCB LAYOUT

| | | | | | | | | | |
|-------------|----------------|--------|------|---------------------------------------|----------------------|-------------|--|------------------------|--|
| mat'l code | | NOTE 1 | | tolerances unless otherwise specified | | CUSTOMER | | www.fciconnect.com | |
| ltr | ecn no. | dr | date | linear | .XX±.01/.XX±.3 | COPY | | title | |
| T | | | | angles | .XXX±.005/.XX±.13 | projection | | 5P + 24S + 1M + 6P | |
| | | | | dr | .XXX±.0020/.XXX±.051 | INCH/MM | | R/A SOLDER RECEPT. | |
| | | | | enr | 0° ± 2° | scale | | product family | |
| | | | | chr | D. WOLFORD 01/21/99 | 1:1 | | PwrBlade | |
| | | | | appd | J. BROWN 01/21/99 | | | code | |
| | | | | | J. BROWN 01/21/99 | | | 213 | |
| sheet index | revision sheet | | | | | | | sheet | |
| | | | | | | | | 2 | |

cage code 22526

Pro/E



All rights strictly reserved. Reproduction or issue to third parties in any form whatsoever is not permitted without written authority from the proprietor. Property of FCI. Copyright FCI.

Tous droits strictement reserves. Reproduction ou communication a des tiers interdite sous quelque forme que ce soit sans autorisation ecrite du propriétaire. Propriete de c FCI. Droits de reproduction FCI.

PRODUCT NUMBER
SEE SHEET 3

CONNECTOR NOTES:

- HOUSING MATERIAL: UL 94 V-0 GLASS FILLED HIGH TEMP THERMOPLASTIC
POWER CONTACT MATERIAL: COPPER ALLOY
SIGNAL CONTACT MATERIAL: COPPER ALLOY

- PLATING: (51625-XX00X STAND OFF 51625-XX001 AND 51625-XX002)
SEE ITEM 5 & 6 IN PRINT 10064183 FOR PLATING SPEC OF 51625-XX00X AND 51625-XX00XLF RESPECTIVELY

- MANUFACTURER'S NAME, P/N, AND DATE CODE TO APPEAR ON THIS SURFACE
- PRODUCT SPECIFICATION GS-12-149

PCB NOTES:

- ALL DIMENSIONS ARE BASIC UNLESS OTHERWISE SPECIFIED.
- ALL THROUGH HOLES ARE LOCATED WITH A TRUE POSITION OF 0.004 [0.10]
- ALL HOLE DIAMETERS ARE FINISHED HOLE SIZE
- $\varnothing 0.098 [2.49]$ THROUGH HOLES ARE UNPLATED.
- $\varnothing 0.0453 \pm 0.0010 [1.151 \pm 0.025]$ DRILLED HOLES PLATED WITH 0.0003 [0.008] MIN SnPb OVER 0.001 [0.03] TO 0.003 [0.08] Cu PLATING TO ACHIEVE A $\varnothing 0.040 \pm 0.003 [1.02 \pm 0.07]$ HOLE.
- A \triangle SYMBOL WILL BE NEXT TO ANY DIMENSION, VIEW, OR NOTE WHICH HAS BEEN MODIFIED WITH THE CURRENT DRAWING REVISION.

CONFIDENTIAL

| | | | | | | | | | |
|-------------|----------------|--------|------|---------------------------------------|----------------------|-----------------------|--------------|--------------------|-------|
| mat'l code | | NOTE 1 | | tolerances unless otherwise specified | | CUSTOMER | | www.fciconnect.com | |
| ltr | ecn no. | dr | date | linear | .XX±.01/.XX±.3 | projection | COPY | title | |
| T | | | | | .XXX±.005/.XX±.13 | | | 5P + 24S + 1M + 6P | |
| | | | | angles | .XXX±.0020/.XXX±.051 | $0^\circ \pm 2^\circ$ | | R/A SOLDER RECEPT. | |
| | | | | dr | D. WOLFORD 01/21/99 | INCH/MM | product form | PRODUCT_FAMILY: 3 | code |
| | | | | enrg | J. BROWN 01/21/99 | scale | size | dwg no | 213 |
| | | | | chr | J. BROWN 01/21/99 | 1:1 | A | 51625 | sheet |
| | | | | appd | J. BROWN 01/21/99 | | | | 4 |
| sheet index | revision sheet | | | | | | | | |

cage code 22526

Pro/E